

BDM-250 PV DC Moulded Case Circuit Breaker

CB



- 1 Brand
- 2 Model
- 3 Rated Working Current
- 4 Rated Limit/operating Short-circuit Breaking Capacity
- 5 Compliant With Standards
- 6 Rated Operational Voltage
- 7 Instantaneous Current Setting Value
- 8 Certification Mark

- Easy installation
- Convenient installation with high segmentation and good insulation performance
- Overload protection, short circuit protection, non frequency operation
- Rated Voltage:DC 500V
- Rated Current:250A
- Comply with:IEC60947-2, GB/T14048.2



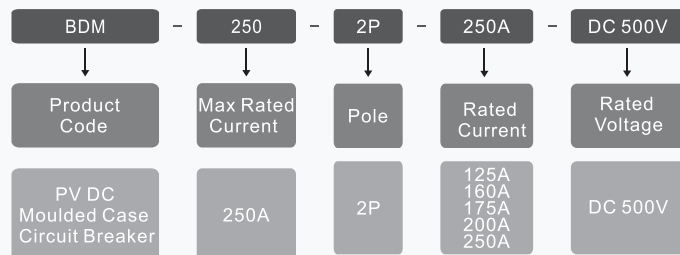
Application

ZBENY BDM-250 series PV DC moulded case circuit breakers are mainly used in large-scale photovoltaic power generation systems . Including photovoltaic junction box, photovoltaic inverter, photovoltaic DC cabinet, etc. Rated voltage DC 500V, rated current up to 250A, The fault current of the DC power distribution system can be quickly disconnected to ensure the reliable peration of the solar photovoltaic power generation system. At the same time, the circuit breaker is equipped with a dedicated waterproof box, with a protection level of up to IP65.

Appearance Introduction



Type Instruction



Parameter

Electrical Characteristics

		BDM-250
Comply with		IEC 60947-2, GB/T 14048.2
Pole		2P
Rated Working Voltage	Ue	DC 500V
Max Rated Current	Ith	250A
Rated Current	In	125A, 160A, 175A, 200A, 250A
Rated Insulated Voltage	Ui	DC 500V
Rated Impulsed Voltage	Uimp	8kV
Ultimate Breaking Capacity	Icu	15kA
Run Breaking Capacity	Ics	15kA

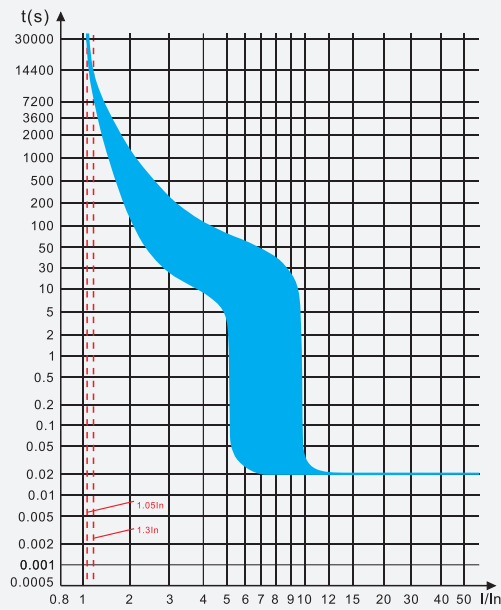
Service Life&Cycle Operation

Mechanical	Actual Value	10000
	Standard Value	7800
Electrical	Actual Value	1000
	Standard Value	200

Installation Environment

Ingress Protection	IP20(without enclosure), IP65(with enclosure)
Bottom mounting screw torque (M4)	1.2N·m-1.6N·m
Product wiring torque (M8)	8N·m-11N·m
Working Temperature	-40℃~+80℃
Storage Temperature	-40℃~+85℃
Pollution degree	3

Circuit breaker action characteristic curve



- 1) cold state, $I=1.05I_n$, $t < 2h$, not trip;
- 2) Hot state, $I=1.3I_n$, $t < 2h$, trip;
- 3) cold state, $I=3I_n$, $t \leq 500s$;
- 4) Instantaneous trip: $5I_n - 10I_n$.

Derating Date

Derating Temperature

Tem Proportion Type	-40°C~40°C	50°C	60°C	70°C	80°C
BDM-250	100%	95%	90%	85%	80%

Derating Altitude

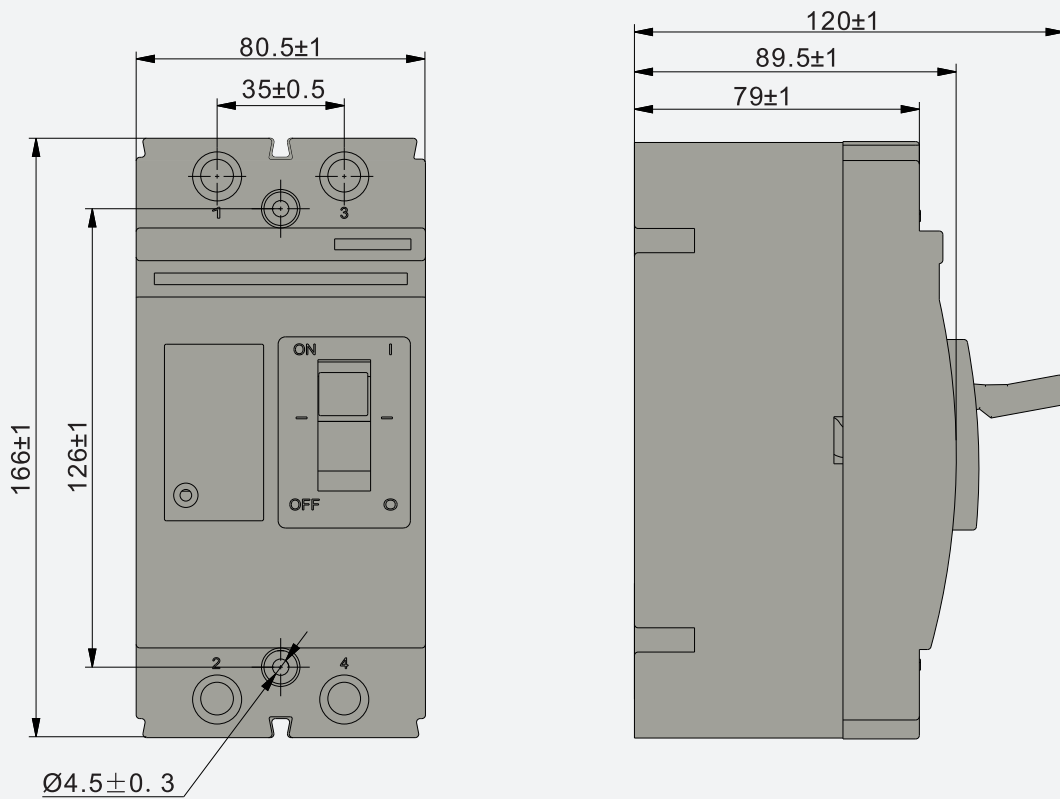
Altitude	2000m	3000m	4000m	5000m
Power frequency withstand voltage	100%	100%	100%	100%
Isolation voltage	100%	100%	100%	100%
Working current	100%	100%	90%	80%
Working voltage	N/A			

Conductor size

Terminal, A	125	160	200	250
Copper conductors, mm ²	50	70	95	120

Note: The maximum outer diameter of the connecting wire for products with waterproof boxes is 14.5mm.

Outline dimension diagram of products without waterproof box (mm)



Outline Dimensional Drawing of Products with Waterproof Boxes (mm)

